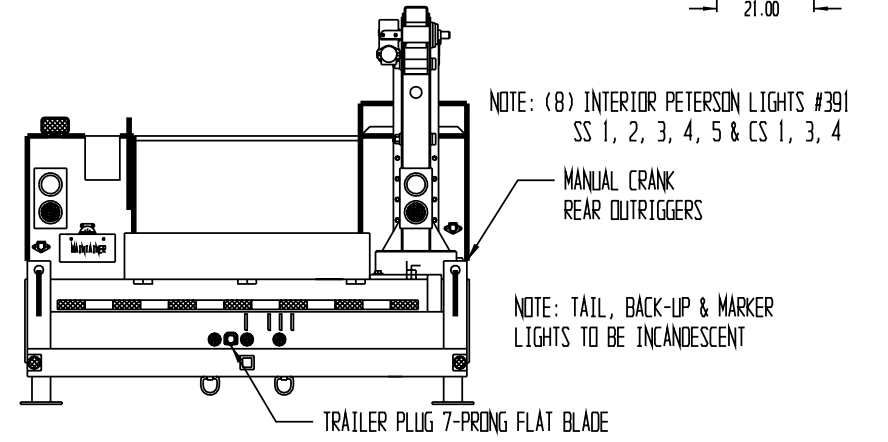
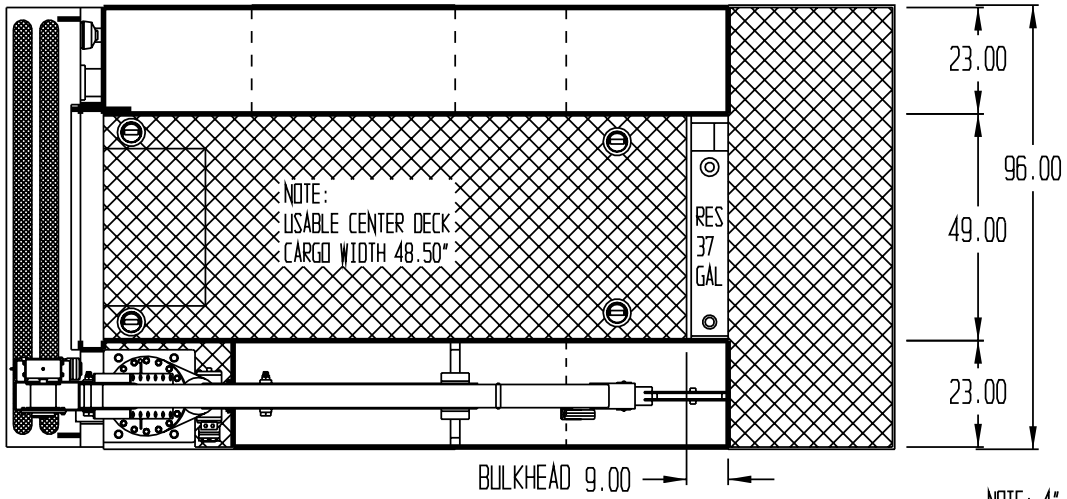
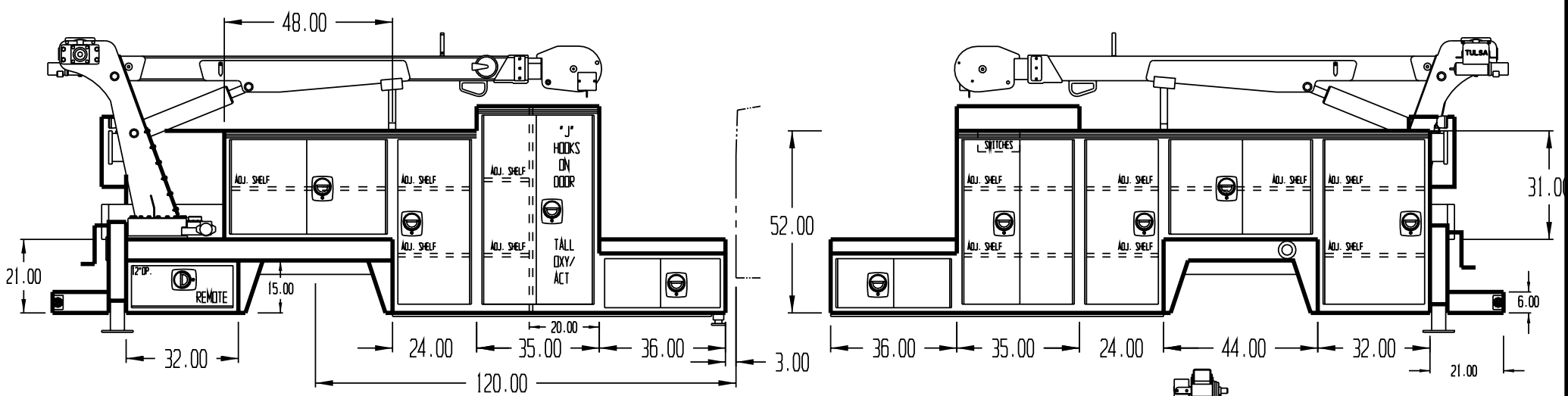


APPROVED BY: _____ DATE: _____ PAINT CODE: 50U WHITE _____



NOTE: 4" CROSSMEMBERS AND 6" MAINSILLS

PLEASE REPORT ANY ERRORS FOUND ON THIS PRINT

THIS PRINT CONTAINS CONFIDENTIAL INFORMATION AND IS THE SOLE PROPERTY OF MAINTAINER CORP. OF IOWA INC. AND IS NOT TO BE COPIED OR REPRODUCED WITHOUT THE EXPRESSED WRITTEN PERMISSION OF MAINTAINER CORP. OF IOWA INC.		PROPRIETARY DATA PROPERTY OF MAINTAINER CORPORATION OF IOWA, INC. COPYRIGHT © 2001	
IOWA DIMENSIONS ARE IN INCHES GENERAL TOLERANCES		MATERIAL:	
BREAK ALL EDGES .01 X 45°	ANGULAR ± 1° .XX ± .03 .XXX ± .005	SCALE: 1:32	SIZE: B
IOWA RADIUS	IOWA ANGLES	DRAWING NUMBER: Z403-6	DFTM. KJB DATE: 9/19/08
MADE IN THE USA		3216-1-120 HOUSTON AUTOMOTIVE GROUP	